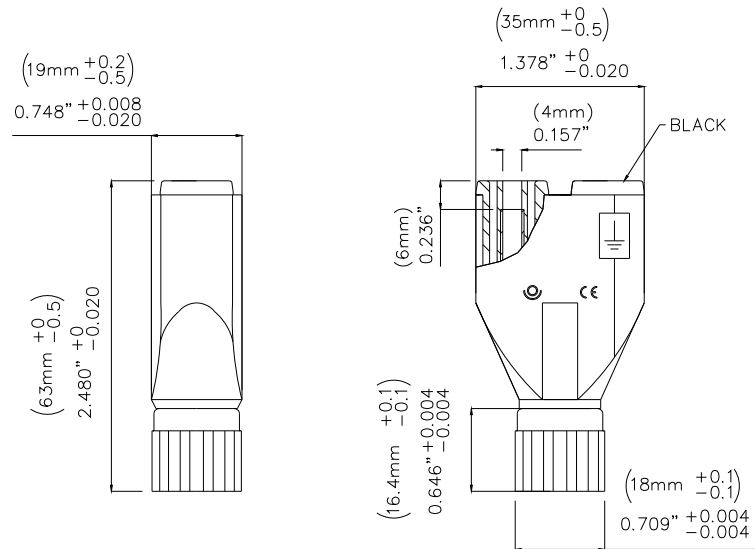


Model 72937
IEC Insulated BNC (M) to two 4 mm banana jacks



Features

- IEC Insulated BNC (M) to two 4mm banana jacks.
- Adapter converts test instrument safety banana leads to BNC configuration for added shielding and safety.
- Rating: 500V Cat I, 150V Cat II

Materials

- Connector body: Nickel plated Brass
- Center Contact: Gold Plated Brass
- Dielectric: White PTFE
- Insulation: Polyamide
- Banana Jack: Nickel plated Brass

Specifications

Max Current	3A
Max Voltage	500V CAT I, 150V CATII

Ordering Information

Model: 72937

USA: Sales: 800-490-2361 Fax: 888-403-3360
 Europe: 31-(0) 40 2675 150 International: 425-446-5500
 e-mail: technicalsupport@pomonatest.com
 Where to Buy: www.pomonaelectronics.com

All dimensions are in inches. Tolerances (except noted): .xx = ±.02" (.51 mm), .xxx = ±.005" (.127 mm). All specifications are to the latest revisions. Specifications are subject to change without notice. Registered trademarks are the property of their respective companies.